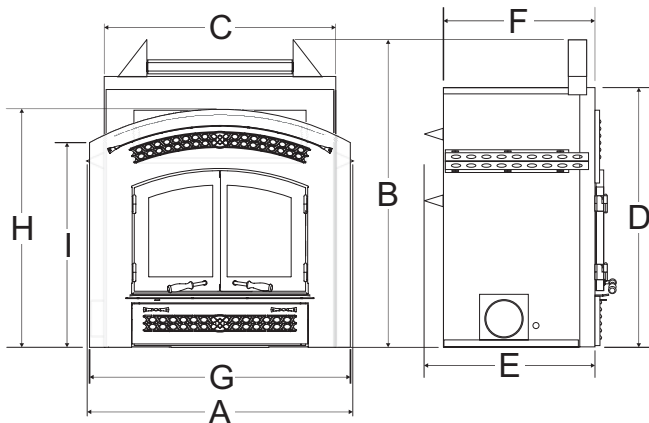


EX90 Wood Fireplace

| | |
|------------------|-------------------------------|
| Model | EX90 |
| Emissions | 3.72 g/hr |
| Efficiency (EPA) | 63% |
| BTU/h (EPA) | 11,720 (Low) to 42,400 (High) |
| Flue Size | 8" (203mm) Diameter |
| Log Size | 20" (508mm) |
| Shipping Weight | 612 lbs. (278 kg) |
| Stripped Weight | 570 lbs (259 kg) |

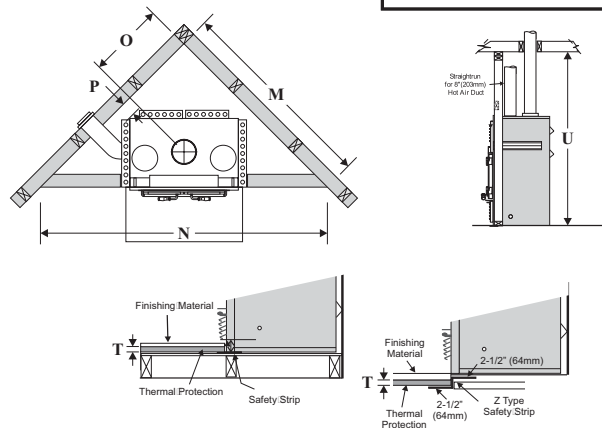
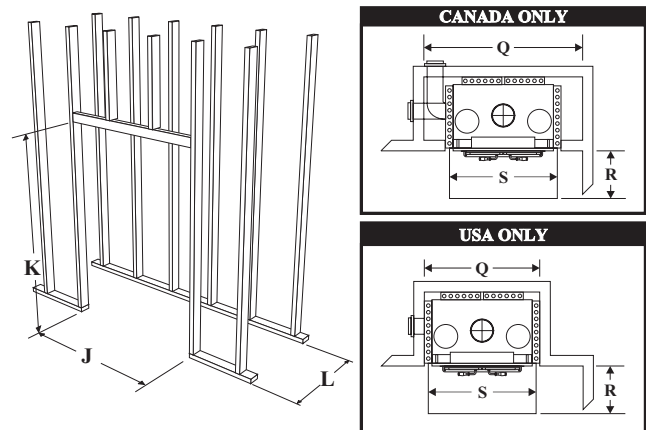


| Unit Dimensions | Description | EX90 |
|-----------------|----------------------------|------------------|
| A | Unit Width w/ standoffs | 43-5/8" (1108mm) |
| B | Unit Height w/ standoffs | 50-1/2" (1283mm) |
| C | Unit Width | 38" (965mm) |
| D | Unit Height | 42-5/8" (1067mm) |
| E | Unit Depth w/ standoffs | 28" (711mm) |
| F | Unit Depth | 25" (635mm) |
| G | Faceplate Width | 43" (1092mm) |
| H | Faceplate Height to center | 38-3/4" (984mm) |
| I | Faceplate Height to corner | 33-3/4" (857mm) |

| Framing Dimensions | Description | EX90 | |
|--------------------|------------------------------|------------------|-------------------|
| | | USA Only | Canada Only |
| J | Framing Width | 44" (1118mm) | 44" (1118mm) |
| K | Framing Height | 50-3/4" (1289mm) | 50-3/4" (1289mm) |
| L | Framing Depth | 28" (710mm) | 28" (710mm) |
| M | Corner Wall Length | 68" (1729mm) | 81-1/2" (2072mm) |
| N | Corner Facing Wall Width | 96-1/4" (2445mm) | 115-3/8" (2930mm) |
| O | Inside Corner to Center Vent | 24-1/2" (624mm) | 31-1/4" (795mm) |
| P | Unit Corner Clearance | 3" (76mm) | 9-3/4" (248mm) |
| Q | Inside Chase Framing Width | 44" (1118mm) | 60" (1524mm) |
| R | Hearth** Depth | 18" (457mm) | 18" (457mm) |
| S | Hearth** Width | 40" (1016mm) | 40" (1016mm) |
| T | Thermal Protection Thickness | 1/2" (12.7mm) | 1/2" (12.7mm) |
| U | Combustible Ceiling Height | 84" (2134mm) | 84" (2134mm) |

**** Required Non-combustible Hearth with thermal protection - Minimum "K" Factor of 20.07 (CAN) or 0.84 (US)**

NOTE: Hearth requires thermal protection in front of the fireplace and must have at least 1/2" (13mm) Millboard under the finishing material with minimum "k" factor of 20.07 (in Canada), 0.84 (in US). If the bottom of the unit is raised 4" (102mm) above the hearth, the thermal floor protection is not required.



NOTE: Safety strip is required when the fireplace rests on a combustible surface, and should extend 2" in front and on the sides of the fireplace. When using a wooden support to raise the fireplace. A "Z" type safety strip, not supplied, must be fabricated (Use 20 gauge galvanized sheet steel).

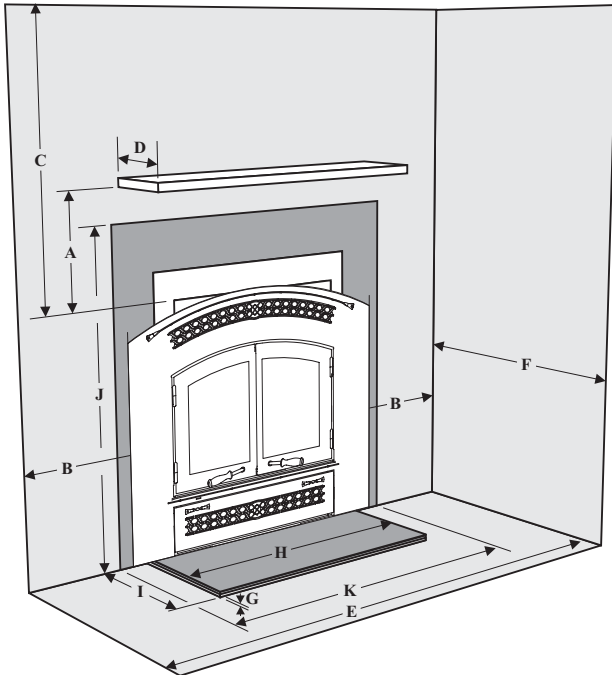
Wood Fireplace

EX90 Wood Fireplace

Clearances Requirements

No combustible materials on the face of unit.

Required Hearth must be non-combustible and will require thermal protection. Minimum thermal protection must have a "k" factor of 20.07 (in Canada), 0.84 (in US).



Combustibles may not extend to unit face.

Do not notch wallboard around standoffs.

The EX90 may be placed on or near construction materials. The combustion air kit, fire stop spacer and roof flashings (not chase flashings) may be placed directly on or against normal construction materials. The chimney requires a minimum 2" (51mm) clearance. A combustible mantle (to a depth of 10", 254mm) may be installed no closer than 18" (457mm) above the warm air vent or 55-1/2" (1410mm) from bottom of unit.

The chimney must be enclosed when installed in or passing through a living area where combustible material or people may come in contact with it. This is important to prevent possible personal injury or fire hazard.

For any further information, please call your dealer. Special restrictions apply to the front and facing of the fireplace and nearby walls.

WARNING: If insulation is used, do not place the unit against it. Insulation or vapor barriers, if used, must be secured to assure insulation and vapor barriers remain in place and do not affect the required air spaces.

WARNING: Do not pack or fill required air spaces with insulation or other material. No material of any kind is allowed in these areas.

NOTES:

- 1) Do not insulate the chase cavity with blown or fill type insulation materials.
- 2) Local codes may not require a firestop at the ceiling level for outside chase installations; however, it is recommended for safety and the reduction of heat loss.
- 3) We recommend that you insulate at least the first floor of the chase to prevent heat loss.
- 4) Some local codes require 1 hour fire rating on one or all sides of fire chases. Check with your local authorities.

NOTES:

- 1) Minimum Chase sizes must be met according to the framing directions (page 149). **US Installations** will require a minimum ventilation with one 30 sq. in. (194 sq. cm.) opening grill (air is drawn from within the home not outside).
- 2) Mantel min. Height of 18" (457mm) from top of louver opening to underneath mantel or 55 1/2" (1410mm) from bottom of unit.
- 3) Minimum non-combustible facing must be installed according to the table on this page. Finishing material to be installed on top of this.
- 4) Framing is slightly larger than unit dimensions to allow for easier installation (50 3/4", 1289mm h x 44", 1118mm w)
- 5) Must maintain a min. Of 46" (1168mm) from top of louver opening to finished ceiling.
- 6) Sidewall clearances, as detailed on this page, must be maintained according to your location.
- 7) Hearth must be a min. 40" (1016mm) wide x 18" (457mm) deep and 1/2" (127mm) thick.

| Clearance: | Dimension | | Measured From: |
|------------------------------|------------------|------------------|-----------------------------------|
| | USA Only | Canada Only | |
| A: Mantel Height | 18" (457mm) | 18" (457mm) | Minimum |
| B: Sidewall | 18" (457mm) | 24" (610mm) | Side of fireplace opening |
| C: Ceiling | 46" (1168mm) | 46" (1168mm) | Top of fireplace opening |
| D: Mantel Depth | 10" (254mm) | 10" (254mm) | Maximum |
| E: Alcove Width | N/A | N/A | Approved for Single Sidewall only |
| F: Alcove Depth | N/A | N/A | Approved for Single Sidewall only |
| G: Thermal Protection Height | 1/2" (13mm) | 1/2" (13mm) | Bottom to top of Protection. |
| H: Hearth Width | 40" (1016mm) | 40" (1016mm) | Edge to Edge of Hearth |
| I: Hearth Depth | 18" (457mm) | 18" (457mm) | Front of Hearth to Wall |
| J: Facing Height** | 52-1/2" (1334mm) | 51-1/2" (1308mm) | Floor to Facing Height** |
| K: Facing Width** | 44" (1118mm) | 60" (1524mm) | Edge to Edge of Facing** |

**Required non-combustible facing.